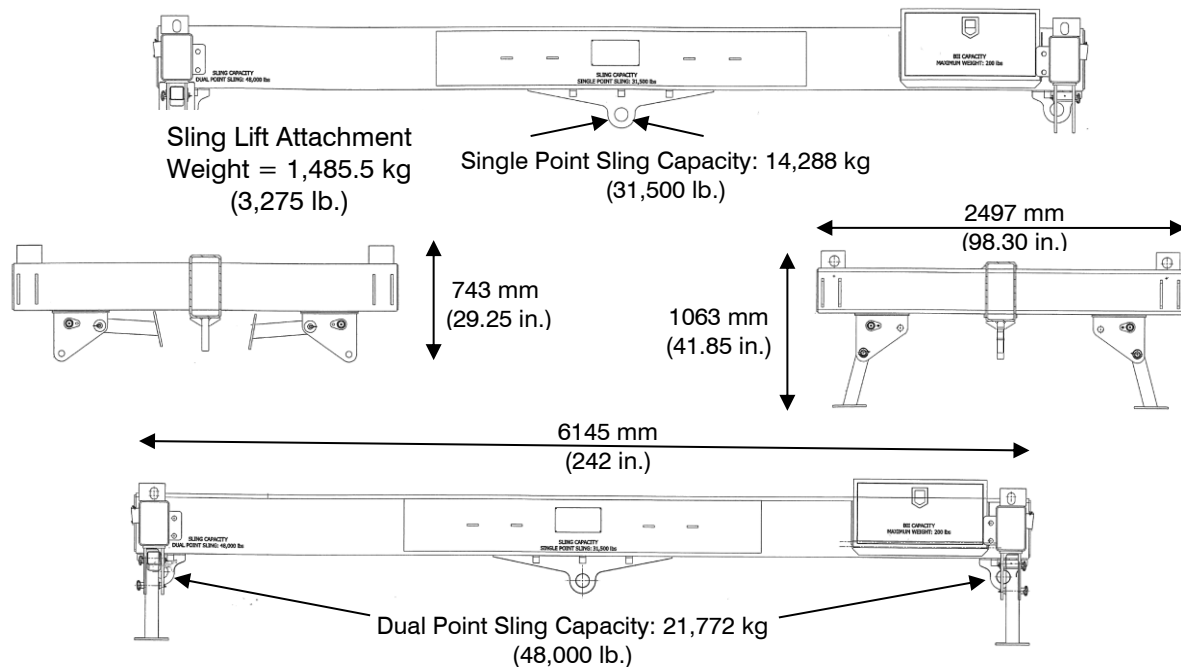


MODEL AT-001 SLING LIFT ATTACHMENT

The Sling Lift Attachment (SLA) was designed and built to utilize the RT240 Reach Stacker for other types of lifting using single or dual point lifting procedures. The attachment is free standing when not in use via folding legs. There is a convenient storage box provided for the sling and shackle kit.



Sling and Shackle Kit:

- Qty. = 1 Shackle, 22.7 tonne (25 ton)
- Qty. = 4 Shackle, 8.6 tonne (9.5 ton)
- Qty. = 2 Shackle, 12.25 tonne (13.5 ton)
- Qty. = 4 Sling, 7,484 kg (16,500 lb.)
- Qty. = 2 Sling, 12,474 kg (27,500 lb.)

